

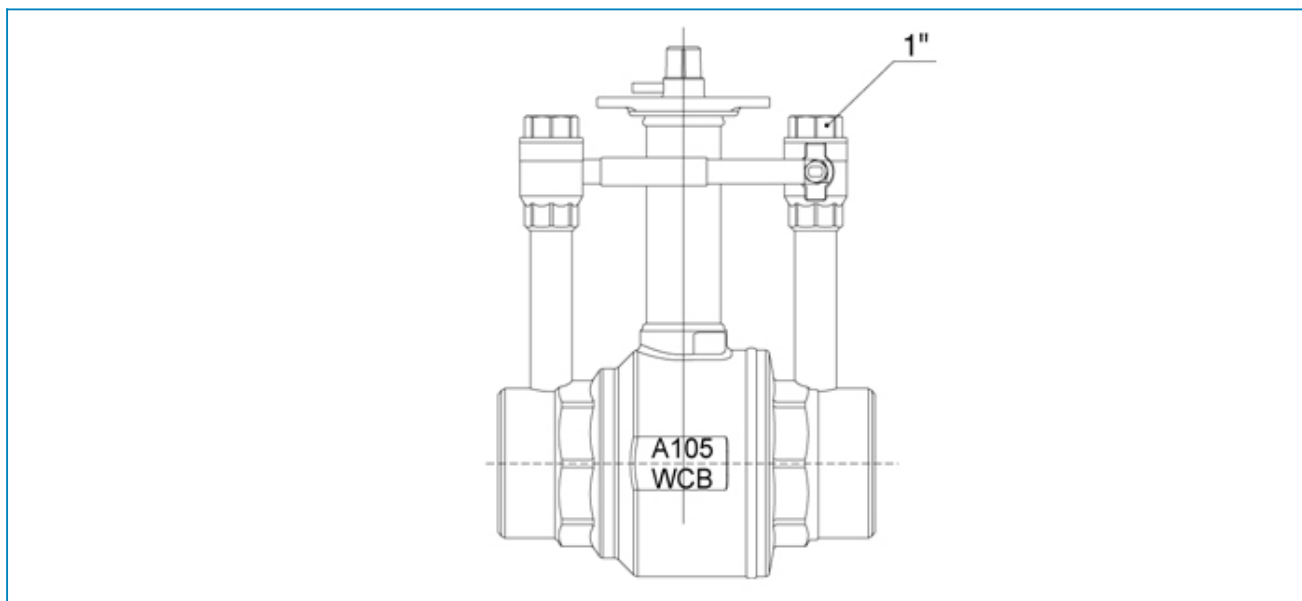


Serie **INTER.GAS**

Articolo **706602**

**CON SFIATI - WITH VENTS**

Fully welded floating ball valve for natural gas service, according to UNI 9734, elongated stem for installation underground level, in ASTM A105, BW ends with 2 vents.



MISURA SIZE	DN
3"	80
4"	100
5"	125
6"	150
8"	200