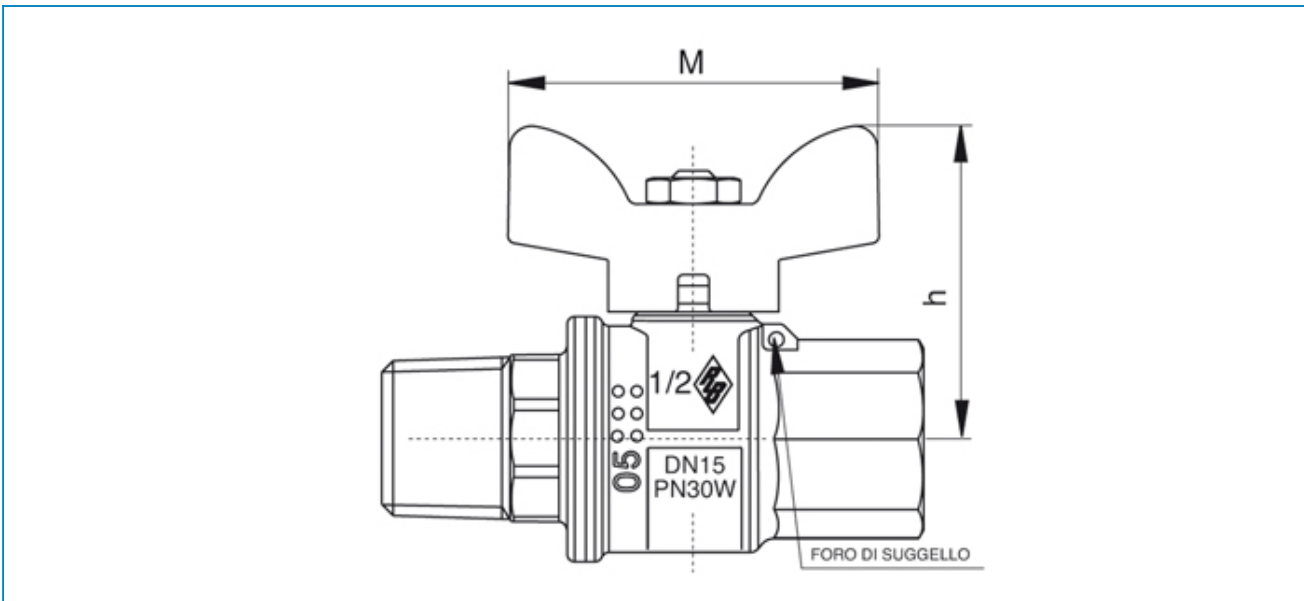




Serie **BUBBLE-SFER**

Articolo **2021**

Water full bore ball valve, M/F threads, aluminium butterfly handle and ball with automatic rinse system.



POS.	PART NAME	MATERIALE-MATERIALS MATERIAUX-WERKSTOFF- MATERIAL	N°P
1	BODY	OTTONE CW617N UNI EN12165	1
2	END CONNECTION	OTTONE CW617N UNI EN12165	1
3	STEM	OTTONE CW614N UNI EN12164	1
4	PACKING GLAND	OTTONE CW614N UNI EN12164	1
5	HANDLE	ALLUMINIO EN-AC 46100	1
6	STEM SEAL/THRUST WASHER	P.T.F.E.	2
7	O-RING	EPDM	1
8	NUT	ACCISIO STEEL CL 04	2
9	BALL	OTTONE CW617N UNI EN12165	1
10	BALL SEAT	P.T.F.E.	2

MISURA SIZE	DN	BOX	MASTER BOX	CODICE CODE	M	h	Kv	PN	Kg
1/2"	15	50	100	2021040000	50	42	16,3	30	0,21
3/4"	20	30	60	2021050000	64	53	29,5	30	0,34
1"	25	20	40	2021060000	64	57	43	30	0,55