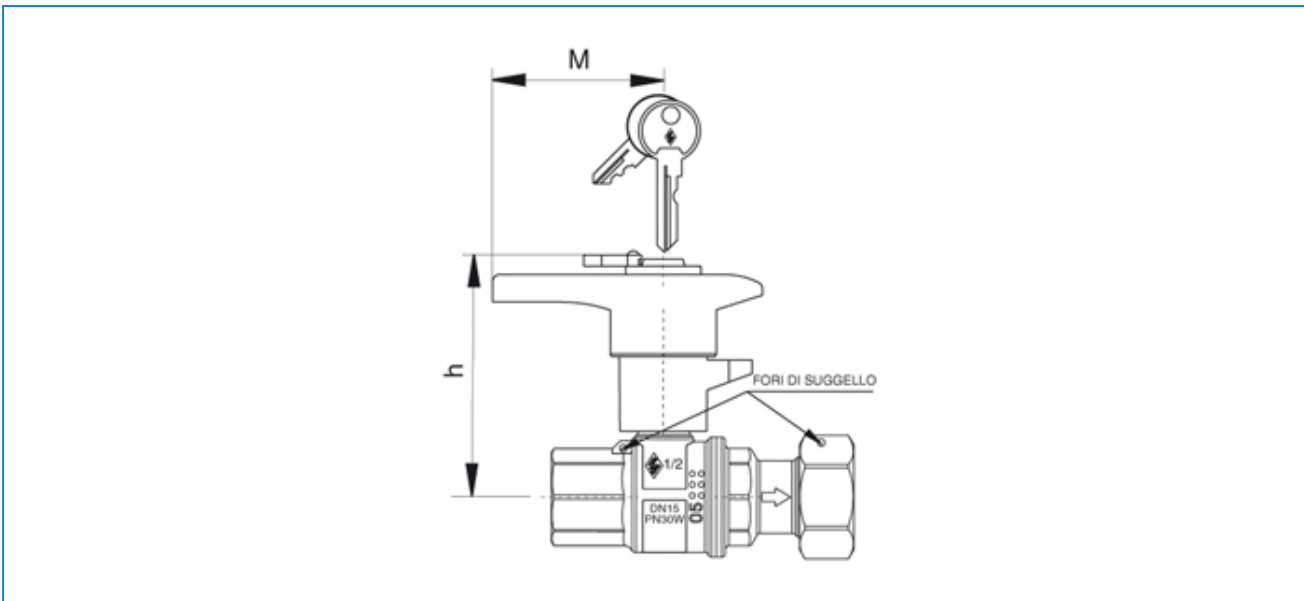


Serie **BUBBLE-SFER**

Articolo **2081**

Water full bore ball valve, M/F threads, with sealable cap and ball with automatic rinse system.



POS.	PART NAME	MATERIALE-MATERIALS MATERIAUX-WERKSTOFF- MATERIAL	N°P
1	BODY	OTTONE CW617N UNI EN12165	1
2	END CONNECTION	OTTONE CW617N UNI EN12165	1
3	STEM	OTTONE CW614N UNI EN12164	1
4	PACKING GLAND	OTTONE CW614N UNI EN12164	1
5	HANDLE	ALLUMINIO EN-AC 46100	1
6	STEM SEAL/THRUST WASHER	P.T.F.E.	2
7	O-RING	EPDM	1
8	NUT	ACCISIO STEEL CL 04	2
9	BALL	OTTONE CW617N UNI EN12165	1
10	BALL SEAT	P.T.F.E.	2

MISURA SIZE	DN	BOX	MASTER BOX	CODICE CODE	ØE	h	Ch1	Kv	PN	Kg
1/2"	15	50	100	2081040000	24	36,5	12	16,3	30	0,21
3/4"	20	25	50	2081050000	28	44	12	29,5	30	0,35
1"	25	20	40	2081060000	28	49,5	12	43	30	0,56
1"1/4	32	10	20	2081070000	33	59,5	12	89	25	0,97
1"1/2	40	6	12	2081080000	33	66	12	230	25	1,45
2"	50	4	8	2081100000	38	76,5	18	265	25	1,98