

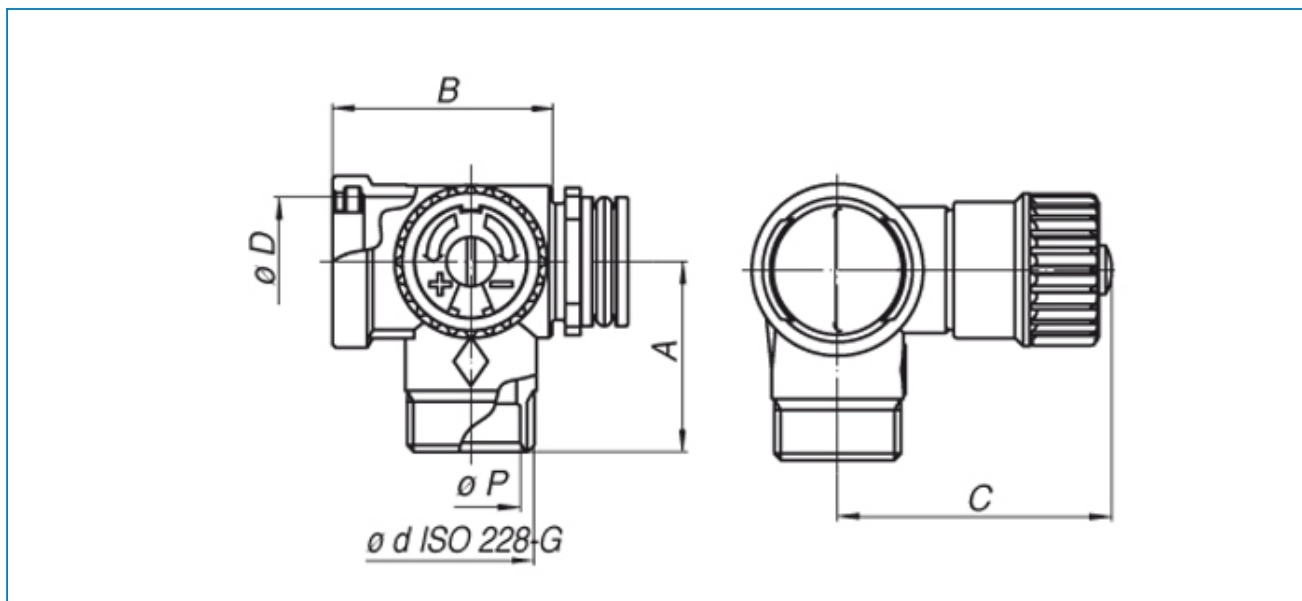
NEW



Serie **TURBO PRESS**

Articolo **591300**

Intermediate module with shut-off valve for composable manifold.



ØD X ød	SAC.	BOX	MASTER BOX	CODICE CODE	ØP	A	B	C	CH
3/4" x 1/2"	-	10	40	5913002601	16	31	36	45	31