

**PATENTED**

**NEW**

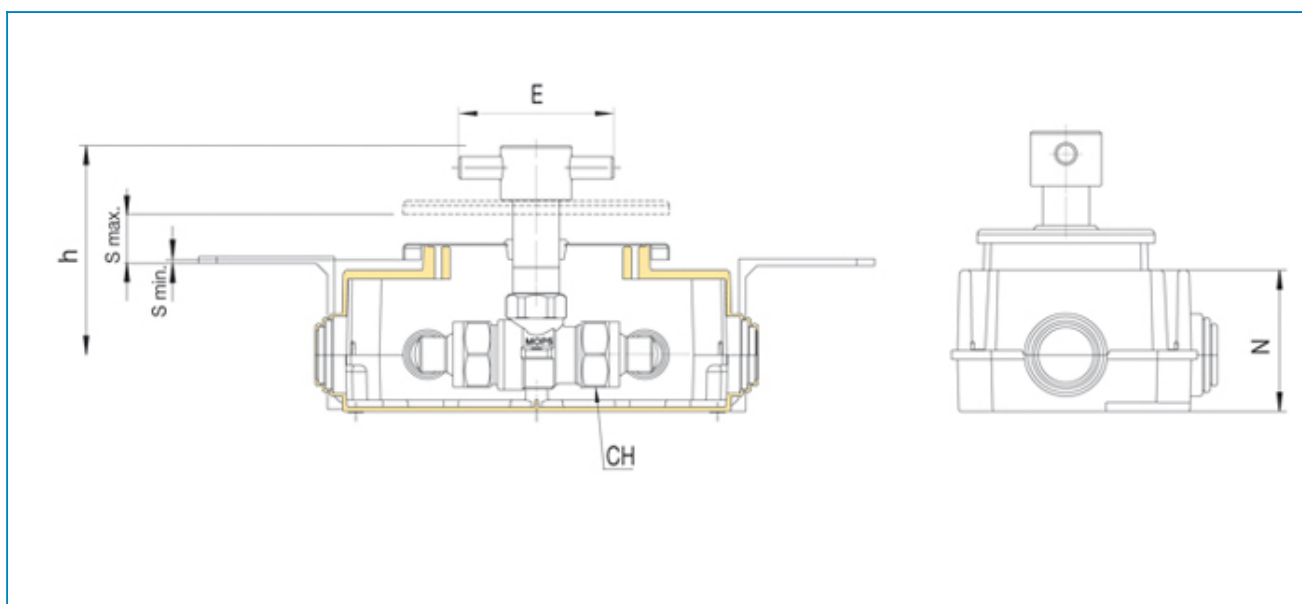
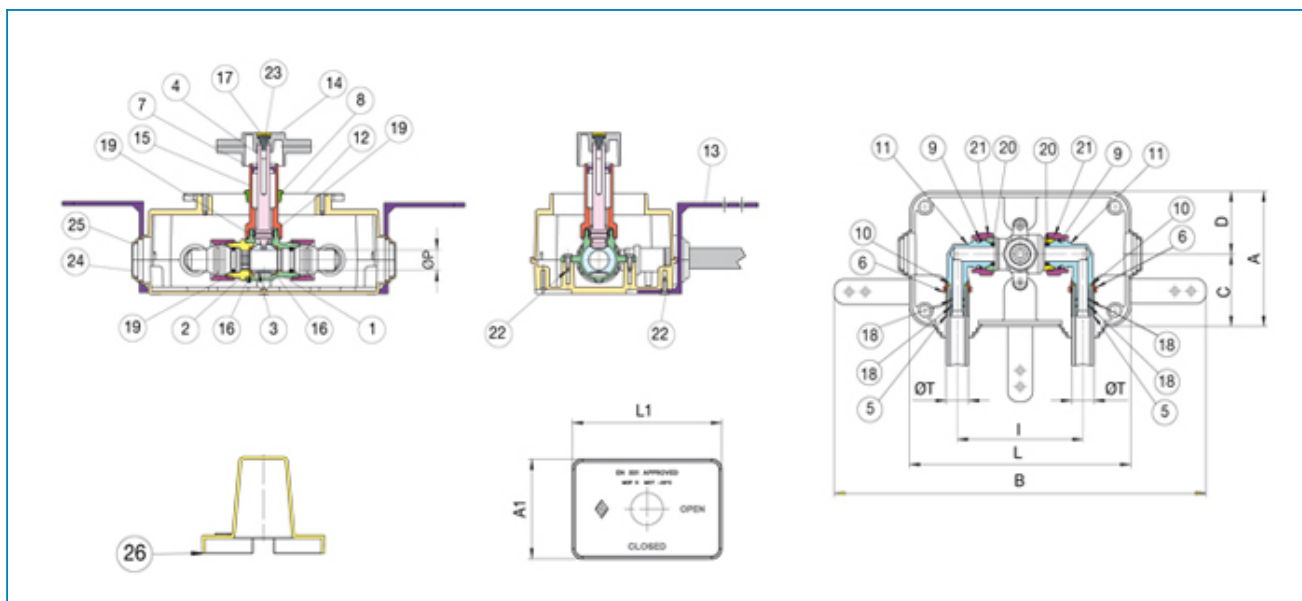


Serie **TURBO PRESS GAS**

Articolo **9382**

**FIDO-CASA**

Gas ball valve with built-in inspection box according to UNI7129 norms, gas TURBO PRESS GAS angle connections and control lever.



POS.	PART NAME	MATERIALE-MATERIALS MATERIAUX-WERKSTOFF- MATERIAL	N°P
1	BODY	OTTONE CW617N UNI EN 12165	1
2	END CONNECTION	OTTONE CW614N UNI EN 12164	1
3	BALL	OTTONE CW617N UNI EN 12165	1
4	STEM	OTTONE CW614N UNI EN 12164	1
5	BUSH	ACCIAIO INOX/STEEL AISI 304	2
6	STEM RETAINING NUT	PP	2
7	STEM RETAINING NUT	OTTONE CW614N UNI EN 12164	1
8	LID SEAL	POLIETILENE	1
9	FASTERING RING	ACCIAIO INOX	
10	FLAT SEAT	PE	2
11	FITTING	OTTONE CW617N UNI EN 12165	2
12	PLATE	ACCIAIO INOX AISI 430	1
13	SUPPORT	POM	3
14	T-HANDLE	ZAMAG Zn Al14 ALLOY	1
15	SUPPORT	OTTONE CW614N UNI EN 12164	1
16	BALL SEAT	P.T.F.E	2
17	CAP	ABS	1
18	O-RING	NBR	2
19	O-RING	HNBR	4
20	O-RING	HNBR	2
21	NUT	OTTONE CW617N UNI EN 12165	2
22	SCREW	ACCIAIO	5
23	SCREW	OTTONE CW614N UNI EN 12164	1
24	INSPECTION BOX	HIPS	1
25	INSPECTION BOX	HIPS	1
26	COVER	ABS	1

MISURA SIZE	BOX	MASTER BOX	CODICE CODE	ØT	ØP	A	A1	B	C	D	E	h	l	Ch	L	L1	N	S min	S max	Kg
16	1	4	9382160000	16	15	109	80	299	58	51	70	94,5	101	30	178	120	62,5	1,5	20,5	1,00
20	1	4	9382200000	20	15	109	80	299	58	51	70	94,5	101	30	178	120	62,5	1,5	20,5	1,00

Disponibili singoli componenti, per approfondimenti visitate sezione valvole per gas, serie FIDO-CASA